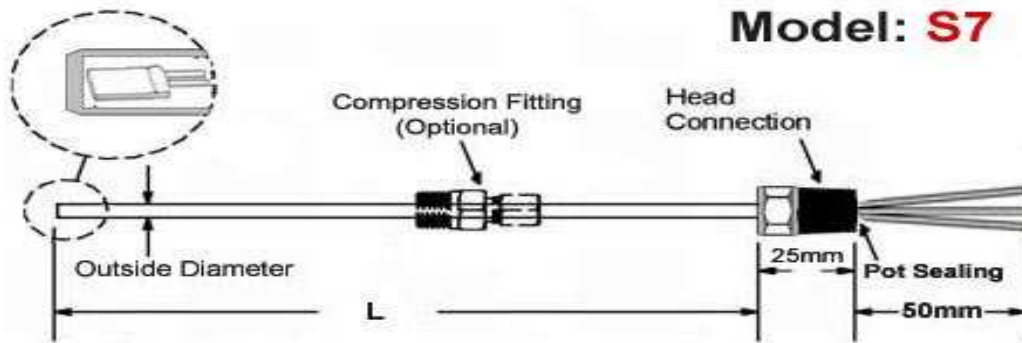


RTD

RTD With Compression Fitting



Model: **S7**

Connection Head



Configuration

1	Sheath Material
1	SS 304
2	SS 316

2	"L" Dimension
Specify "L" Length In mm	

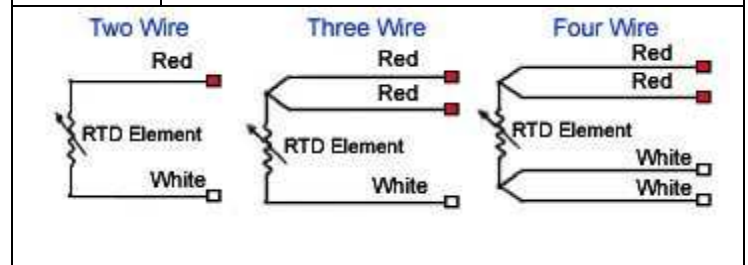
4	Outside Diameter
Specify "O.D." In mm	

5	RTD Element Type		
Ohms	Class A	Class B	Element
Pt100	1	3	Simplex / Duplex
Pt1000	2	4	Simplex / Duplex

7	Connection Head Options
1	None
2	4-20 mA Transmitter

8	Conduit Opening
1	½" NPT
2	¾" NPT

3	RTD Wire Connection
1	2 wire
2	3 wire
3	4 wire



6	Connection Head Model
1	Cast Aluminum: Standard
2	Cast Aluminum: Mini
3	Flame Proof

9	Head Connection
1	¼" NPT
2	½" NPT
3	¾" NPT

Ajmer Thermotech Pvt. Ltd. Mobile: +91-9414008884 & Fax: +91-145- 2626398