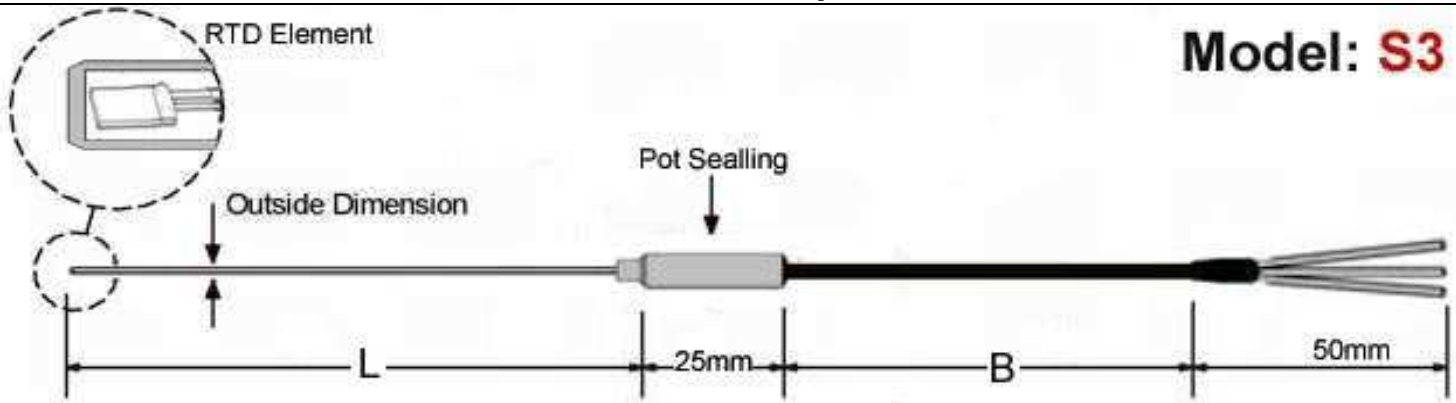


RTD

General Purpose RTD

Model: **S3**



Configuration

1	Sheath Material
1	SS 304
2	SS 316

2	"L" Dimension
Specify "L" Length In mm	

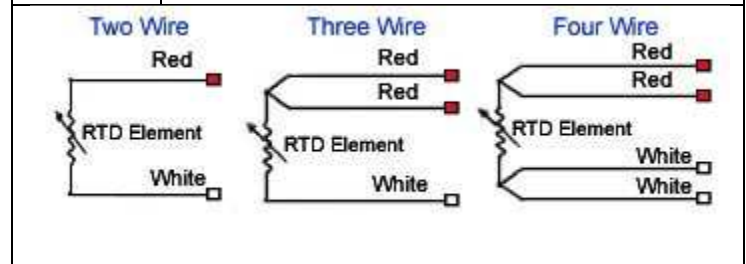
4	Outside Dimension
Specify "O.D." In mm	

5	RTD Element Type		
Ohms	Class A	Class B	Element
Pt100	1	3	Simplex / Duplex
Pt1000	2	4	Simplex / Duplex

7	Cable Insulation Description
1	Teflon/Teflon
2	Teflon/Teflon/SS Braided

8	"B" Dimension
Specify "B" Length In mm	

3	RTD Wire Connection
1	2 wire
2	3 wire
3	4 wire



6	Termination Type
A	Mini Male Plug
B	Mini Female Jack
C	Standard Male Plug
D	Standard Female Jack
E	Split Bare Ends
F	Split & Color Coded Leads

Ajmer Thermotech Pvt. Ltd. Mobile: +91-9414008884 & Fax: +91-145- 2626398