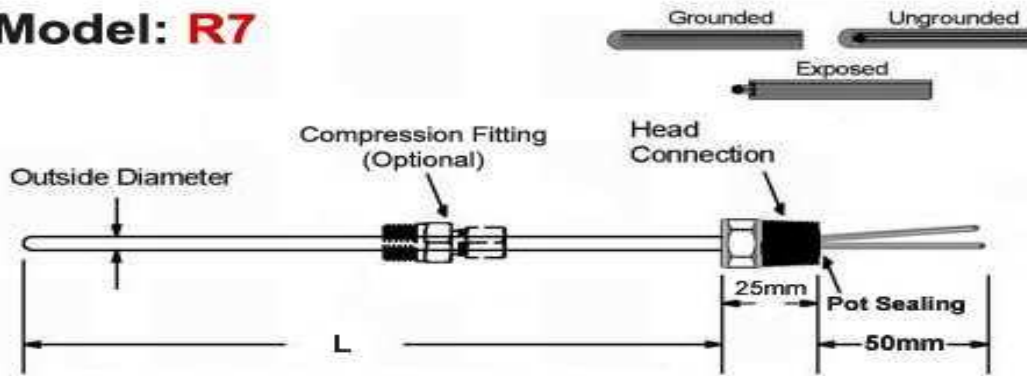


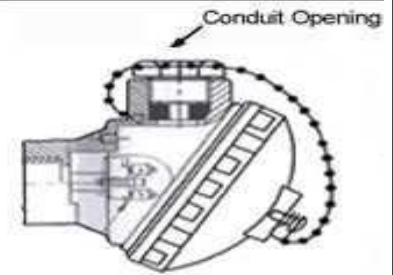
Mineral Insulated Thermocouple

M.I. Thermocouple With Compression Fitting

Model: R7



Connection Head



Configuration

1	Sheath Material
1	SS 304
2	SS 310
3	SS 316
5	Inconel 600

2	Calibration	
	Standard Limits of Error	ACCURACY
A	J	0.75%
B	K	500°C + - 3°C / Above 0.75%

3	"L" Dimension
	Specify "L" Length In mm

4	Junction Styles				
Element Description	Grounded	Ungrounded		Exposed	
	Common	Common	Isolated	Common	Isolated
Simplex	G	U	U	E	E
Duplex	D	F	H	I	M

5	Head Connection
1	¼ " NPT
2	½ " NPT
3	¾ " NPT

7	Outside Diameter
1	1 mm
2	1.5 mm
3	3 mm
4	6 mm
5	8 mm

6	Conduit Opening
1	½ " NPT
2	¾ " NPT

8	Connection Head Model
1	Cast Aluminum: Standard
2	Cast Aluminum: Mini
3	Flame Proof

9	Connection Head Options
1	None
2	4-20 mA Transmitter