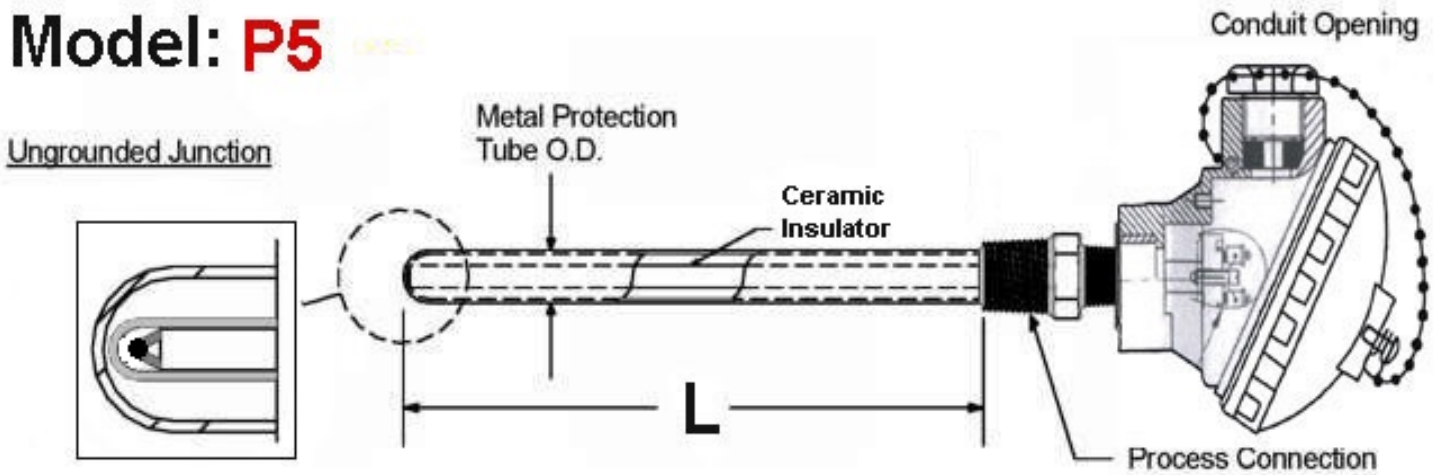


NOBEL METAL THERMOCOUPLES

Noble Metal Thermocouple With Metal Protection Tube Assembly

Model: **P5**



1 Calibration		
Standard Limits of Error		ACCURACY
A	R (PTRH13%PT)	0.5%
B	S (PTRH 10%PT)	0.5%
C	B (PTRH 30% PTRH 6%)	0.5%

4 Connection Head Model	
A	Cast Aluminum Standard
B	Cast Aluminum Mini
C	Flame Proof

7 Metal Protection Tube	
1	25 mm O.D
2	22 mm O.D
3	16 mm O.D
4	12 mm O.D
5	06 mm O.D

Configuration

2 "L" Dimension	
Specify "L" Length In mm	

5 Conduit Opening	
1	1/2" NPT
2	3/4" NPT

8	Wire Dia.(mm)	
	Simplex	Duplex
Dia		
A	.45 mm	
B	.40 mm	
C	.33 mm	
D	.3 mm	
E	.25 mm	

3 Sheath Material	
A	310 SS
B	Inconel 600

6 Process Connection	
1	None
2	1/2" NPT
3	3/4" NPT
4	1" NPT

9 Connection Head Options	
1	4-20mA Transmitter